

Questionnaire Form for bridge crane

1. Crane model and year: _____

2. Manufacturing company: _____

3. Type of display console: free-standing version built-in version

<p>4. Crane's characteristics:</p> <ul style="list-style-type: none"> – capacity – multiplicity of the polyspast – rope branches of winch drum – hoist rope diameter – upper blocks – rope branches of hook block – mass of hook block (if mass of hook block is not included in load chart) – winding rope on a winch/drum – upper block is located 	<p>main hoist</p> <table border="1" style="margin: 0 auto; border-collapse: collapse;"> <tr><td style="width: 60px; height: 20px;"></td><td style="width: 20px; text-align: center;">t</td></tr> <tr><td style="width: 60px; height: 20px;"></td><td></td></tr> <tr><td style="width: 60px; height: 20px;"></td><td style="text-align: center;">quantity</td></tr> <tr><td style="width: 60px; height: 20px;"></td><td style="text-align: center;">mm</td></tr> <tr><td style="width: 60px; height: 20px;"></td><td style="text-align: center;">quantity</td></tr> <tr><td style="width: 60px; height: 20px;"></td><td style="text-align: center;">quantity</td></tr> <tr><td style="width: 60px; height: 20px;"></td><td></td></tr> <tr><td style="width: 60px; height: 20px;"></td><td style="text-align: center;">t</td></tr> </table>		t				quantity		mm		quantity		quantity				t	<p>auxiliary hoist</p> <table border="1" style="margin: 0 auto; border-collapse: collapse;"> <tr><td style="width: 60px; height: 20px;"></td><td style="width: 20px; text-align: center;">t</td></tr> <tr><td style="width: 60px; height: 20px;"></td><td></td></tr> <tr><td style="width: 60px; height: 20px;"></td><td style="text-align: center;">quantity</td></tr> <tr><td style="width: 60px; height: 20px;"></td><td style="text-align: center;">mm</td></tr> <tr><td style="width: 60px; height: 20px;"></td><td style="text-align: center;">quantity</td></tr> <tr><td style="width: 60px; height: 20px;"></td><td style="text-align: center;">quantity</td></tr> <tr><td style="width: 60px; height: 20px;"></td><td></td></tr> <tr><td style="width: 60px; height: 20px;"></td><td style="text-align: center;">t</td></tr> </table>		t				quantity		mm		quantity		quantity				t
	t																																	
	quantity																																	
	mm																																	
	quantity																																	
	quantity																																	
	t																																	
	t																																	
	quantity																																	
	mm																																	
	quantity																																	
	quantity																																	
	t																																	
	<p>symmetrical</p> <p>on trolley frame under trolley frame on hook block</p>	<p>asymmetrical</p>																																

5. Winches for control the load capacity [] quantity

6. Span [] m

7. Electrical power supply festoon cable trolley feeding

8. Load-handing device hook lifting magnet
clamshell spreader
lifting beam

9. Monitoring load each winch total crane

10. Work of winches

separate

joint

11. Operator's cabin is located

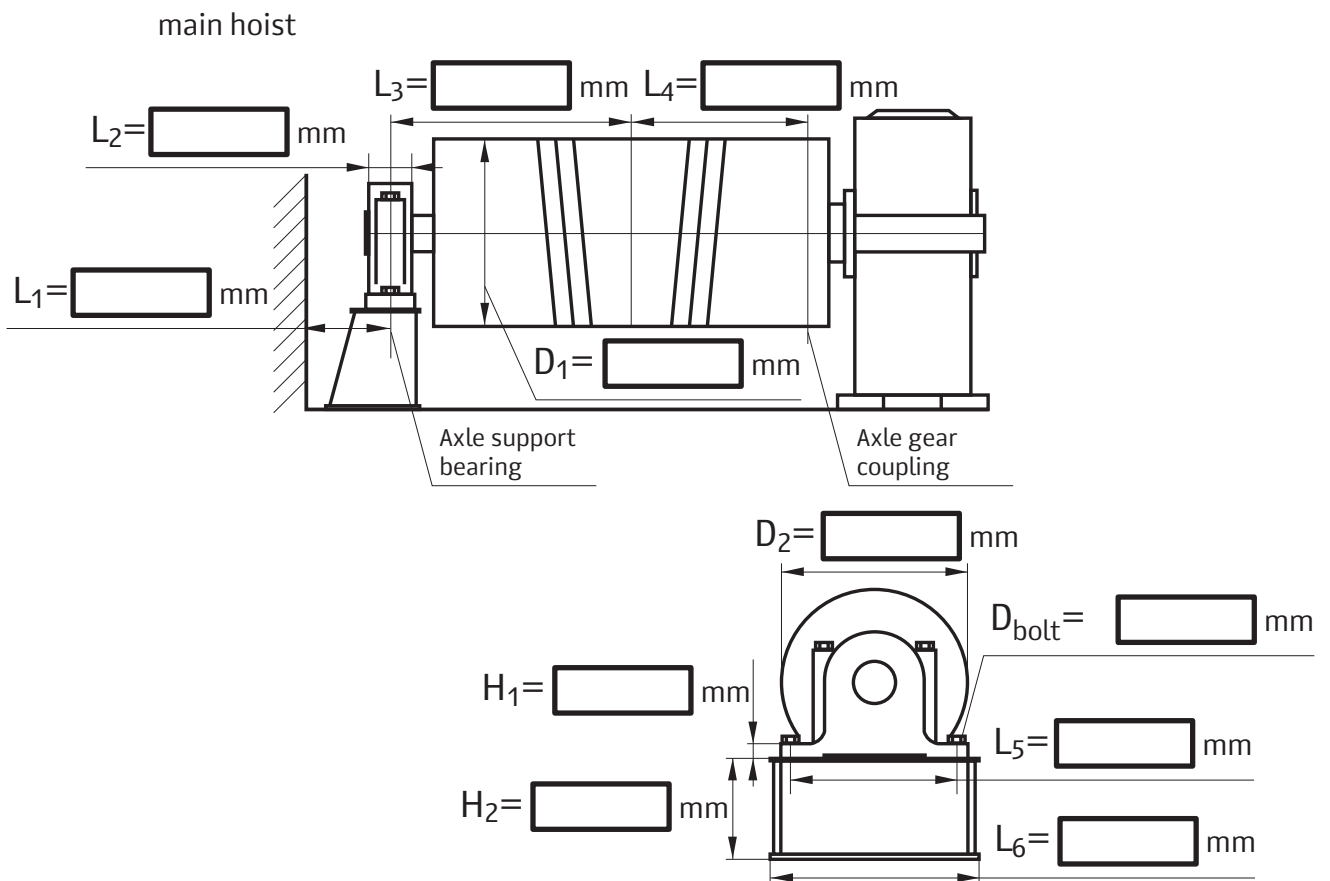
on the bridge, fixed
under the trolley frame
without cabin

12. Magnetic starters of lifting and movement mechanisms are located

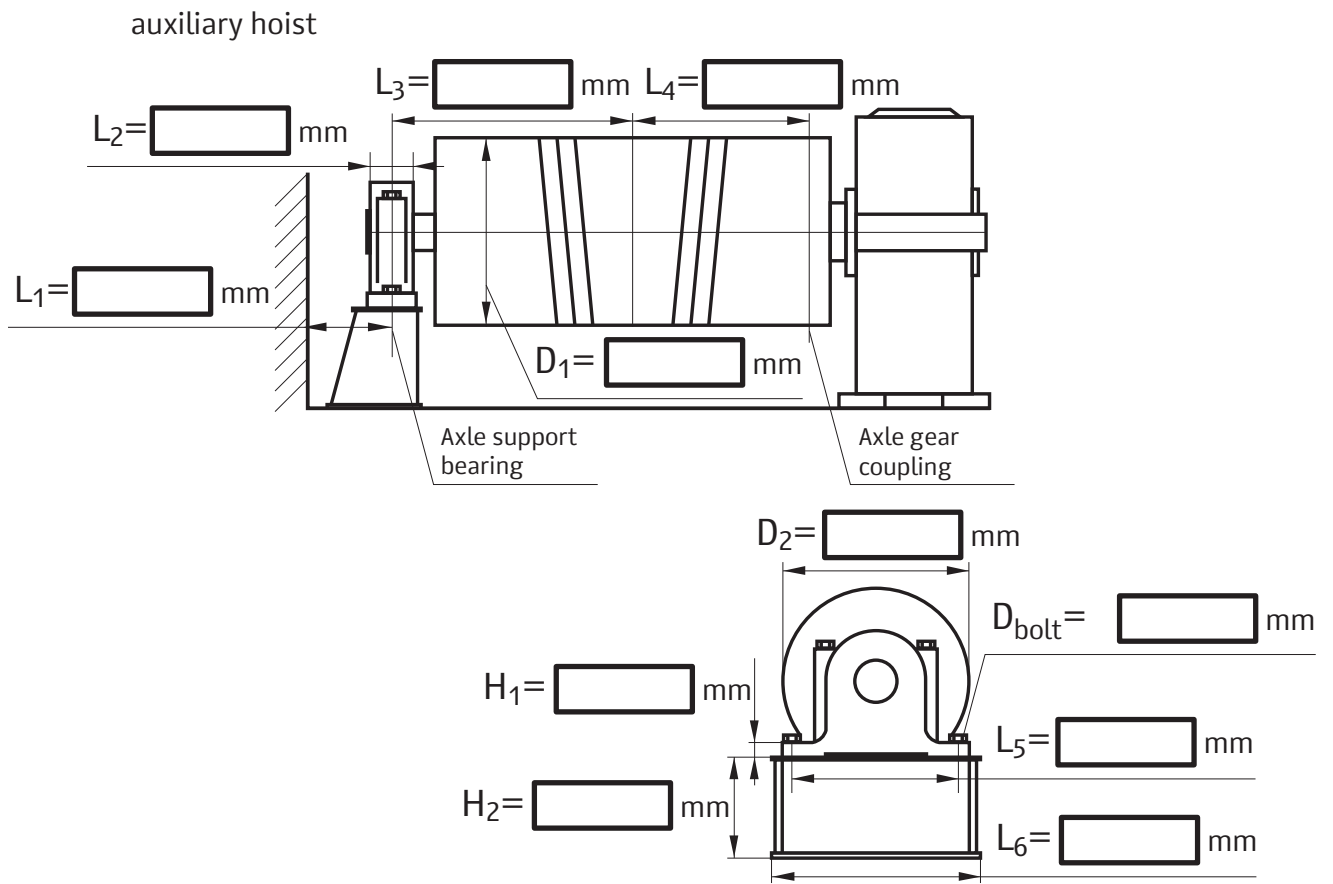
in the cabin
on the trolley frame
on the bridge

13. Place and method of installation tension force transducers

13.1. Under the drum support ¹



¹ With limited space around the support (for example, a dense arrangement of mechanisms), attach a sketch or picture of the place of installation.

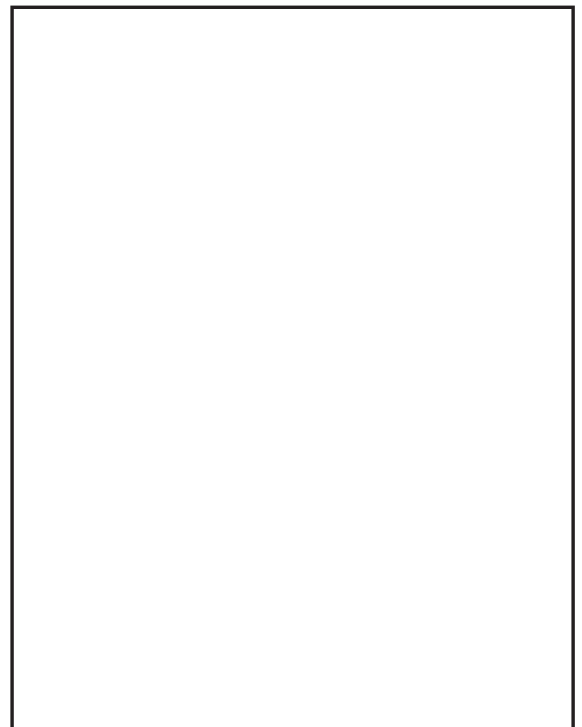
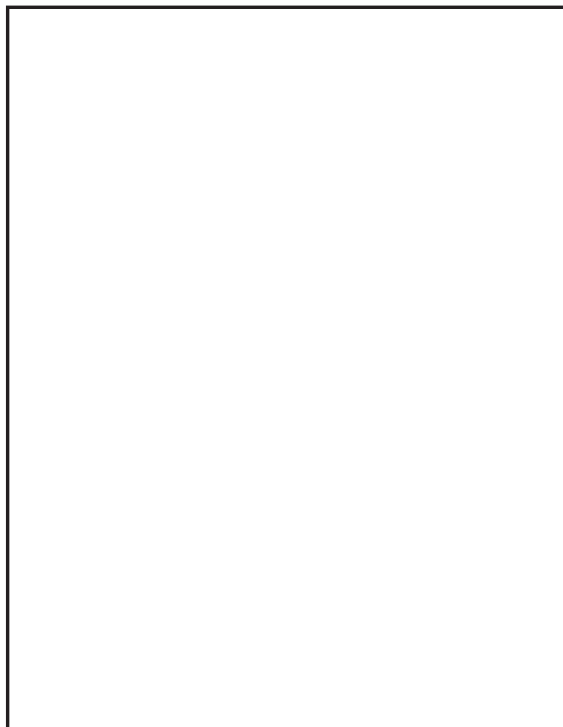


13.2. On a rope

Draw a sketch of the location of sensors:

main hoist

auxiliary hoist



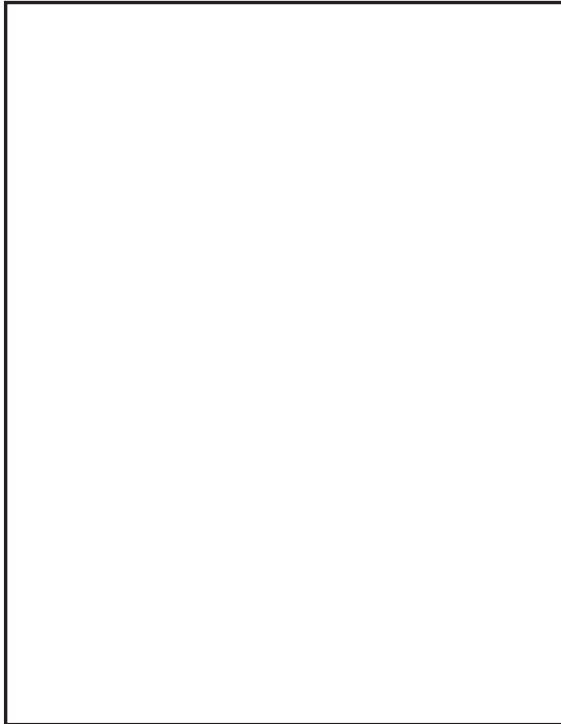
The distance between hook blocks and upper blocks

[] mm

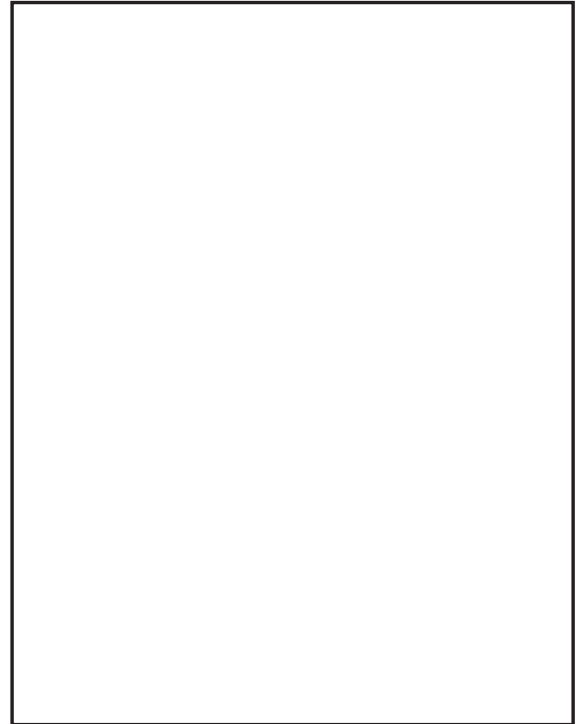
13.3. Customer's place installation

Draw a sketch of the place and method of installation:

main hoist



auxiliary hoist



Calculated force on the sensors at 100% load:

– main hoist

– auxiliary hoist

	t
	t

14. Wind Speed Sensor

required with a cable length

	m
--	---

not required

By the questionnaire form should be attached:

1. Crane general view (photos or drawings of general form).
2. Load charts of main and auxiliary hoists.
3. Electric circuit diagram of crane.

Form filled _____
First and Last Name title date

Company name _____

Phone and address _____