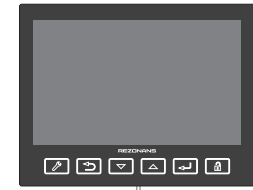
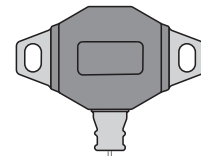


# Rated capacity limiter system OGM240-27

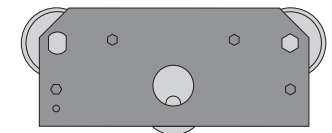
Operator Console  
PN 100-0014



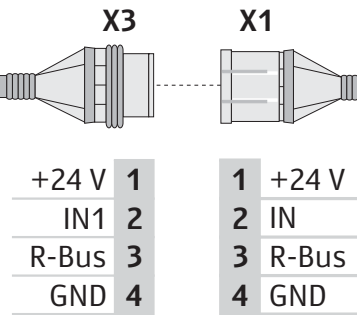
Boom angle sensor  
PN 100-2688



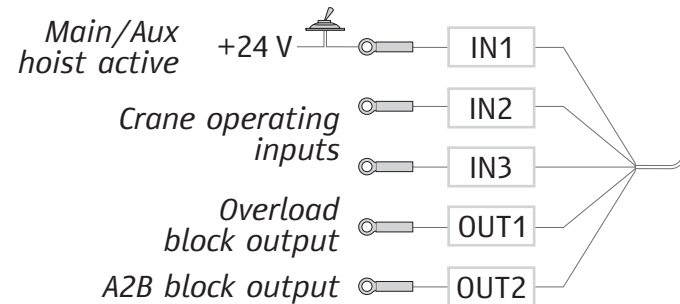
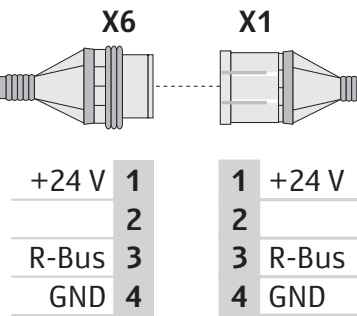
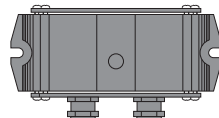
Running line tensiometer  
boom hoist  
PN 101-5893



Wiring harness  
PN 101-3798

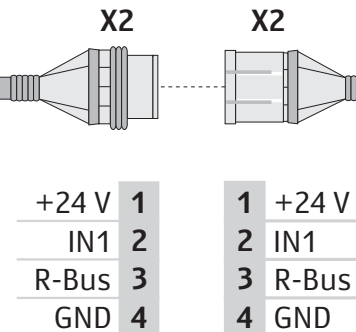


Controller SM  
PN 100-3852

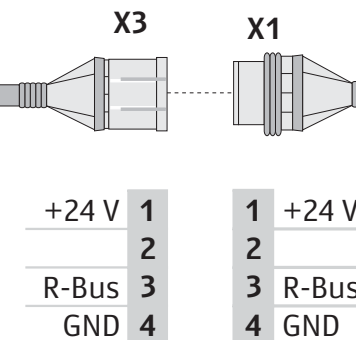


+24 V GND

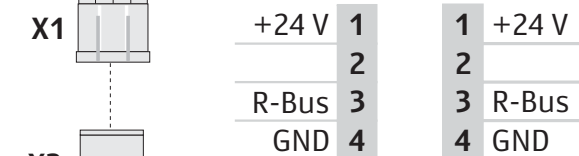
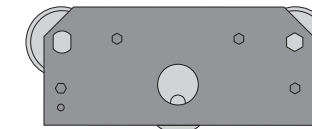
Wiring harness  
PN 100-4753



Wiring harness  
PN 101-3799

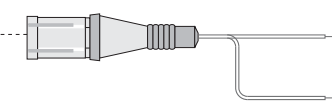


Running line tensiometer  
jib aux hoist  
PN 101-5893

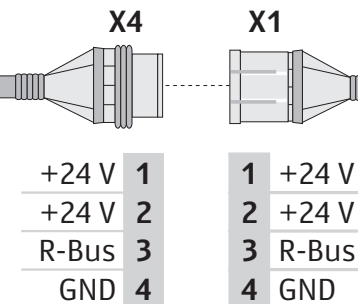


Wiring harness  
PN 101-3805

A2B Switch  
main and aux hoist

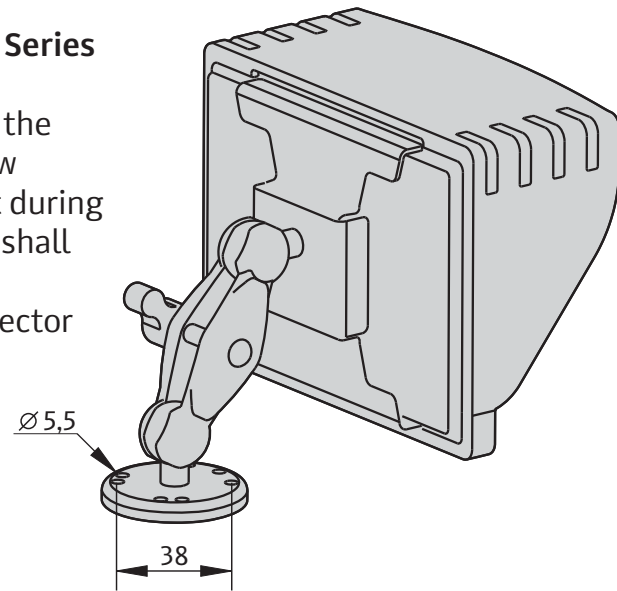


Wiring harness  
PN 101-3801



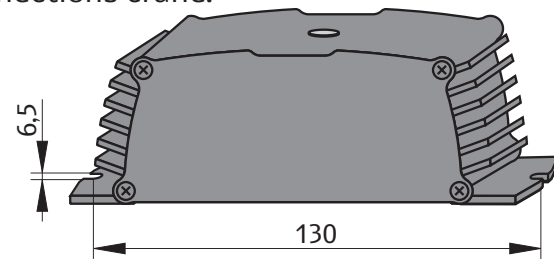
**Operator Console BI04 Series**

should be mounted in the operator's field of view but not obstruct sight during a lift. The attachment shall provide access to the buttons and USB connector for storage device.



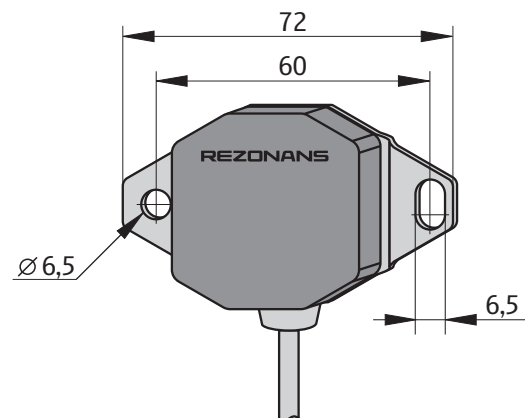
**Controller SM Series**

should be mounted in the operator's room or junction box. The location should provide the ability to electrical connections crane.



**Boom angle sensor and Jib angle sensor**

should be installed on the left side. At an angle boom of 45 degrees sensor must be in horizontal position. The error of the mount sensor can be corrected in setting device.



**Running line tensiometer boom hoist and Running line tensiometer jib aux hoist**

should be mounted as close to the lattice boom tip as possible. Base plate will be attached to the boom with the swing arm bolt affixed. The wire rope should be maintained according to standard practices (in good condition, properly lubricated) to ensure correct calibration.

