

Rated capacity limiter system OGM240-22

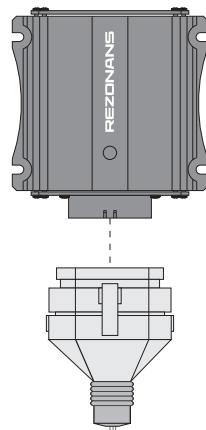
PN 102-6996

REZONANS

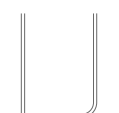
Operator Console



Controller SM
PN 100-6692

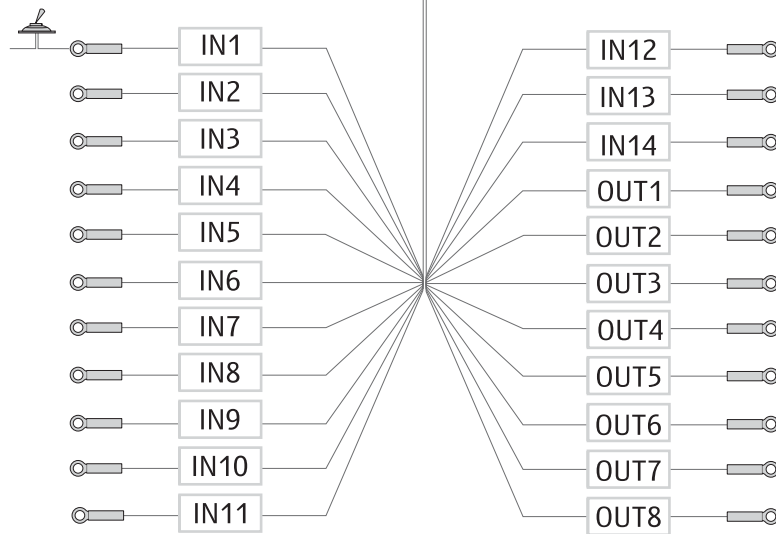


A2B switch



Wiring harness
PN 102-1489

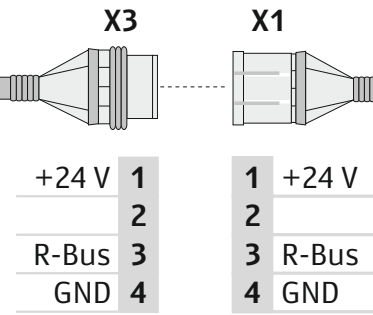
Main/Aux hoist active +24V



X6

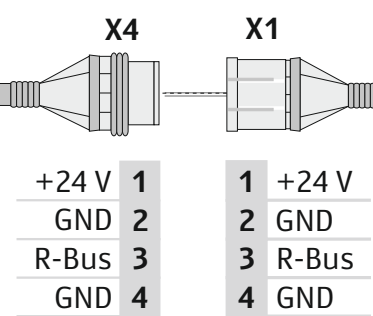
- 1 OUT1
- 2 OUT2
- 3 OUT3
- 4 OUT4
- 5 OUT5
- 6 OUT6
- 7 OUT7
- 8 OUT8
- 9 IN1
- 10 IN2
- 11 IN3
- 12 IN4
- 13 IN5
- 14 IN6
- 15 IN7
- 16 IN8
- 17 IN9
- 18 IN10
- 19 IN11
- 21 IN12
- 22 IN13
- 23 IN14
- 28 +V
- 29 +V
- 30 R-Bus
- 31 +24V
- 35 GND

+24 V GND



Running line tensiometer boom hoist

Running line tensiometer boom hoist



X1

X2

Cable reel with length and angle sensor BSM50 series

